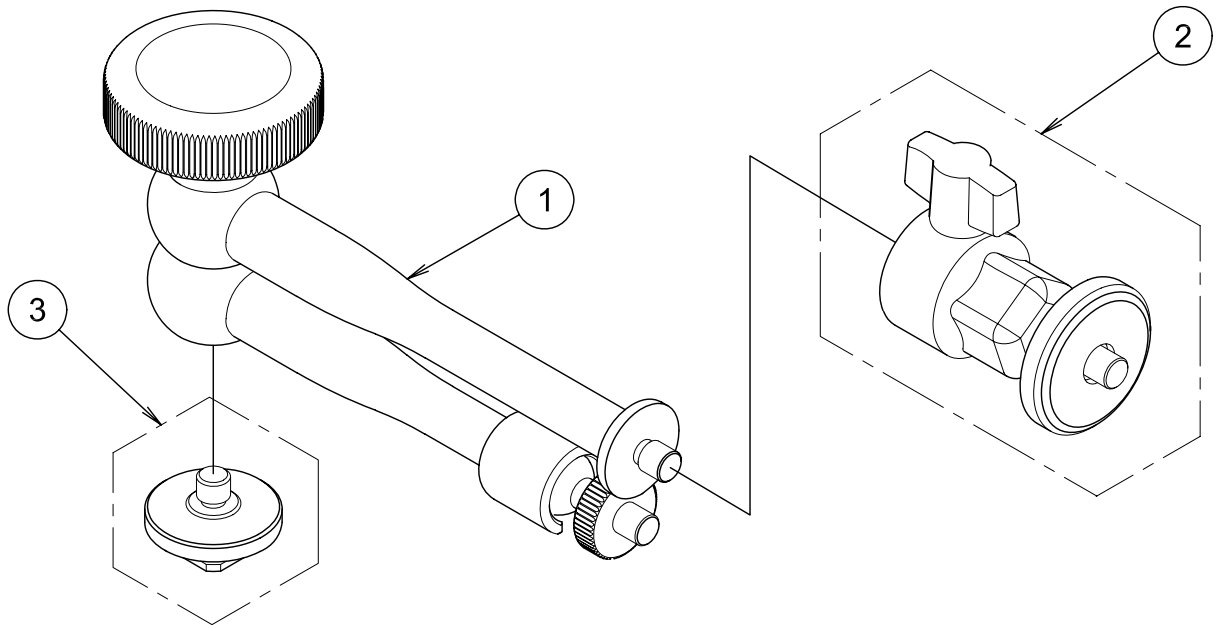
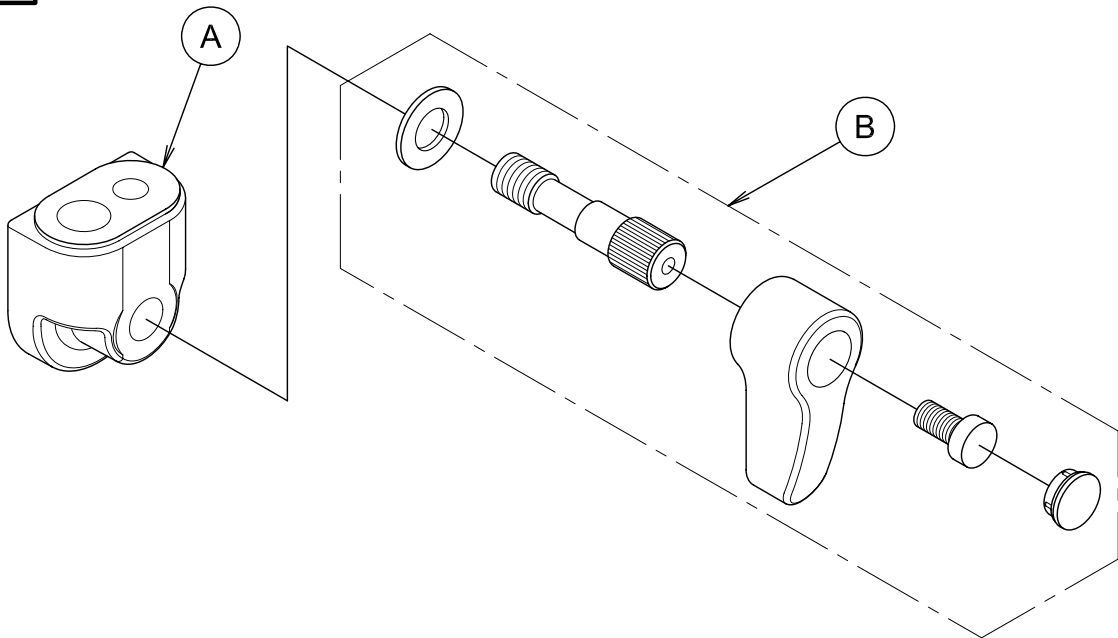


**AS-7**



No.	PART No.	DESCRIPTION	Q'TY USED	NOTE
1	AS7-1	Arm	---	
2	AS7-2	Ball head	1	
3	AS7-3	Shoe adapter	1	

**A-7**



No.	PART No.	DESCRIPTION	Q'TY USED	NOTE
A	A7-A	Adapter base	1	---
B	A7-B	Locking knob	1	